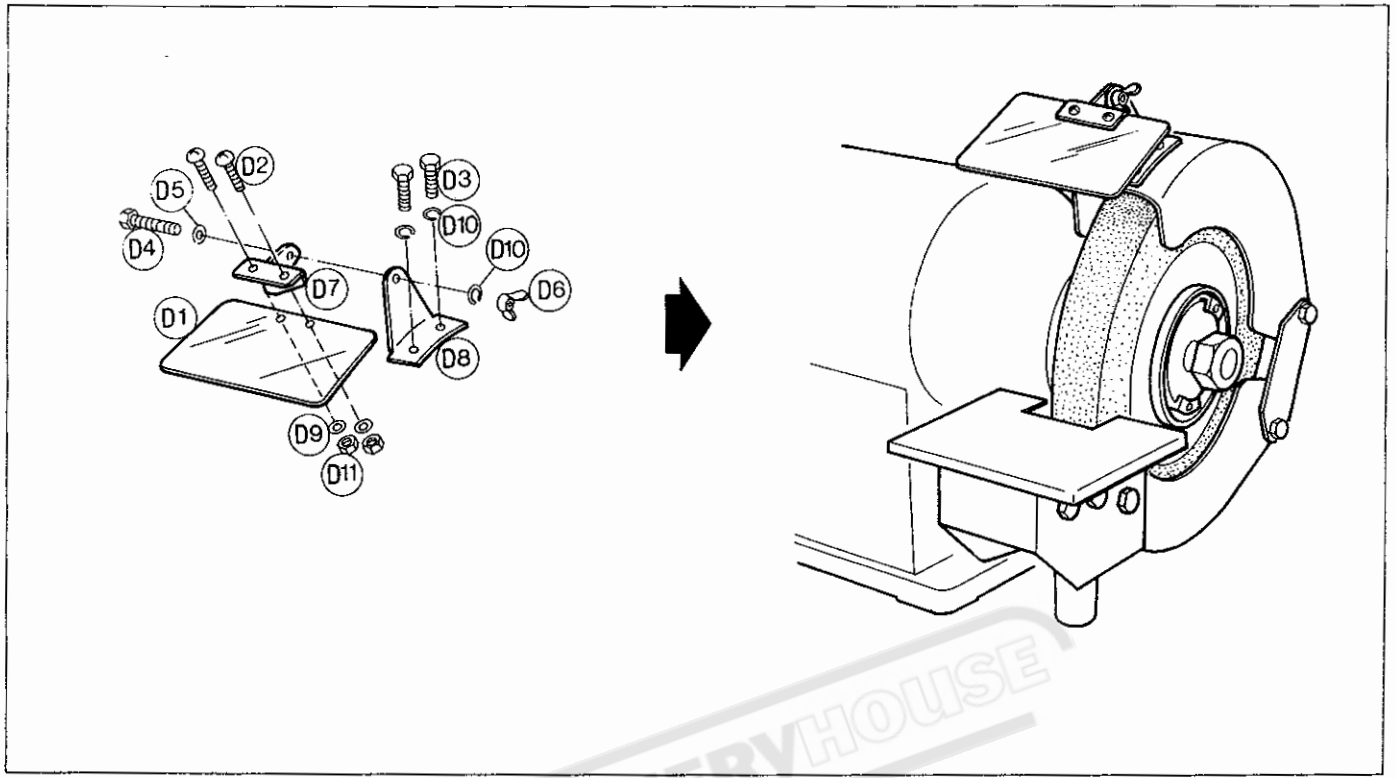


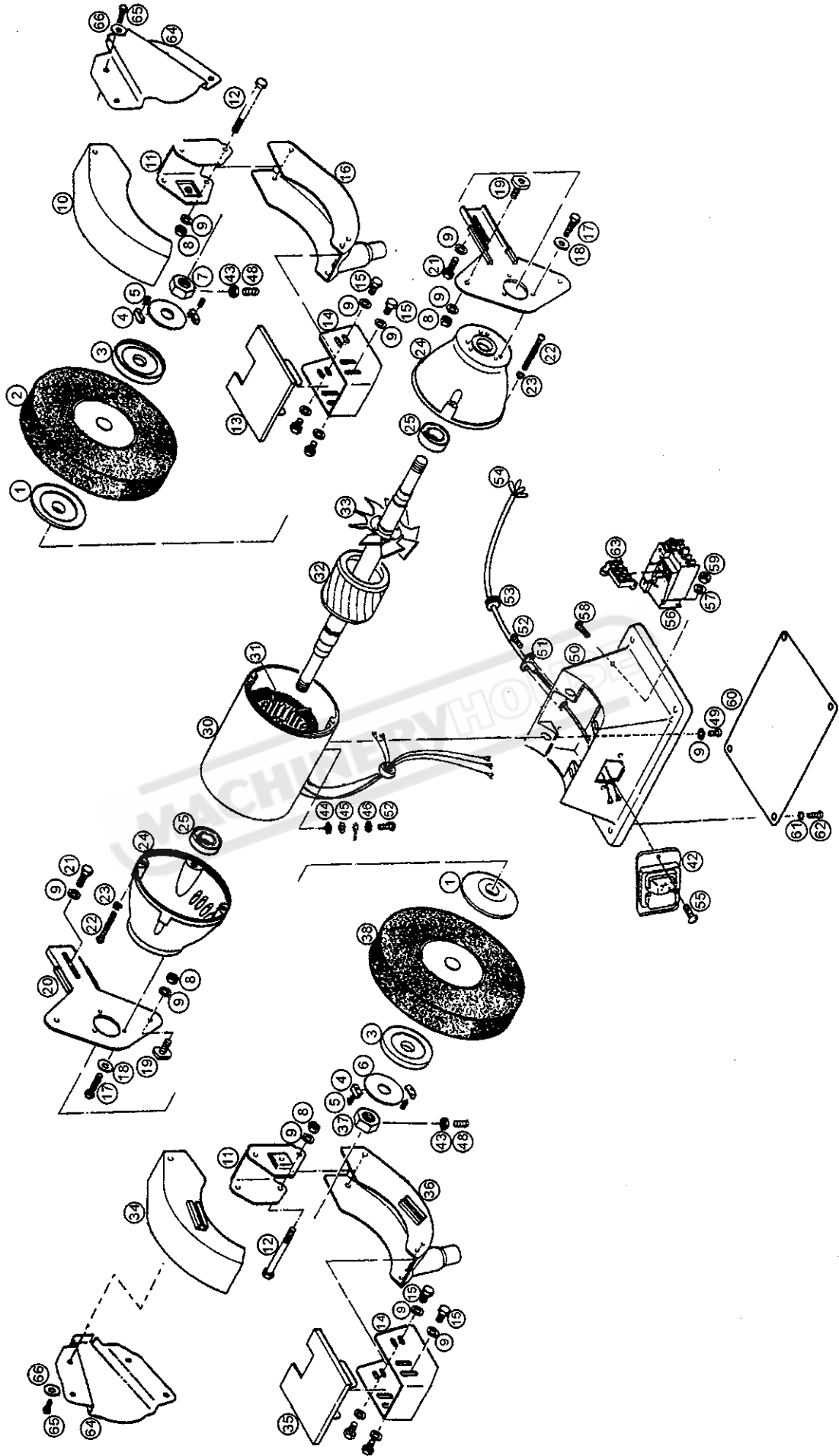
Assembly of Eyeshield



Parts list of eyeshield

Ref. No.	Description	Q'ty.
D1	Eye Shield	2
D2	Screw 3/16 24NC×7/16"	4
D3	Hex. Bolt M6×1P×8	4
D4	Hex. Bolt 1/4 20NC×1/2"	2
D5	Washer $\phi 6.4 \times \phi 18 \times 2$	2
D6	Wing Nut 1/4-20NC	2
D7	Right Support Plate	1
D8	Bracket	2
D9	Washer $\phi 5.3 \times \phi 12.4 \times 0.8$	4
D10	Spring Washer 1/4	6
D11	Hex. Nut 3/16-24NC	4
D12	Left Support Plate	1

Exploded View



Parts List

Ref. No.	Parts Name
1	Disc Washer
2	Grinding Wheel
3	Balancing Flange
4	Balance Block
5	Set Screw
6	Washer
7	Shaft Nut
8	Hex. Nut
9	Washer
10	Upper Grinding Cover
11	Connecting Plate
12	Hex. Bolt
13	Toolrest Table (Right)
14	Toolrest
15	Hex. Bolt
16	Lower Grinding Cover (Right)
17	Hex. Bolt
18	Washer
19	Guide Pin

Ref. No.	Parts Name
20	"T" Ficing Plate
21	Hex. Bolt
22	Screw
23	Spring Washer
24	Support
25	Ball Bearing
30	Stator Housing
31	Stator
32	Rotor
33	Fan
34	Upper Grinding Cover (Left)
35	Toolrest table (Left)
36	Lower Grinding Cover
37	Shaft Nut-Left Thread
38	Grinding Wheel
39	Grommet Rubber
42	NVR
43	Hex. Nut
44	Ext. Washer
45	Copper Set

Ref. No.	Parts Name
46	Int. Washer
48	Set Screw
49	Hex. Bolt
50	Grinding Base
51	Fixing Plate
52	Screw
53	Strain Relief
54	Power Cord
55	Screw
56	Overload Protector
57	Spring Washer
58	Screw
59	Hex. Net
60	Base Plate
61	Washer
62	Screw
63	Wiring Board
64	Side Cover
65	Hex. Bolt
66	Washer

Cabinet Workstand (Optional)

Unpacking and checking list

Ref. No.	Parts Name /Description	Q'ty
1	Stand	1
2	Bottom Plate	1
3	Hex Bolt (M8x20L)	8
4	Spring Washer(M8)	12
5	Washer (M8x30x3t)	4
6	Washer (M8x18x2t)	8
7	Hex Bolt (M8x40L)	4
8	Cooler Boxer	1
9	Screw (M6x16)	2
10	Washer (M6x16x2t)	6
11	Spring Washer (M6)	4
12	Hex Bolt (M6x12L)	4
13	Stand Top	1
14	Hex Nut(M8)	4

